

SPECIFICATIONS

ELECTRICAL

ELECTRICAL ELEMENT	Conductive plastic
RESISTANCE	5K Ω \pm 20%
POWER RATING	0.08W @ 50°C
ELECTRICAL TRAVEL	220° \pm 5° (110° off center)
MECHANICAL TRAVEL	260° centered
ROTATIONAL TORQUE	0.30 oz/in. max

MECHANICAL

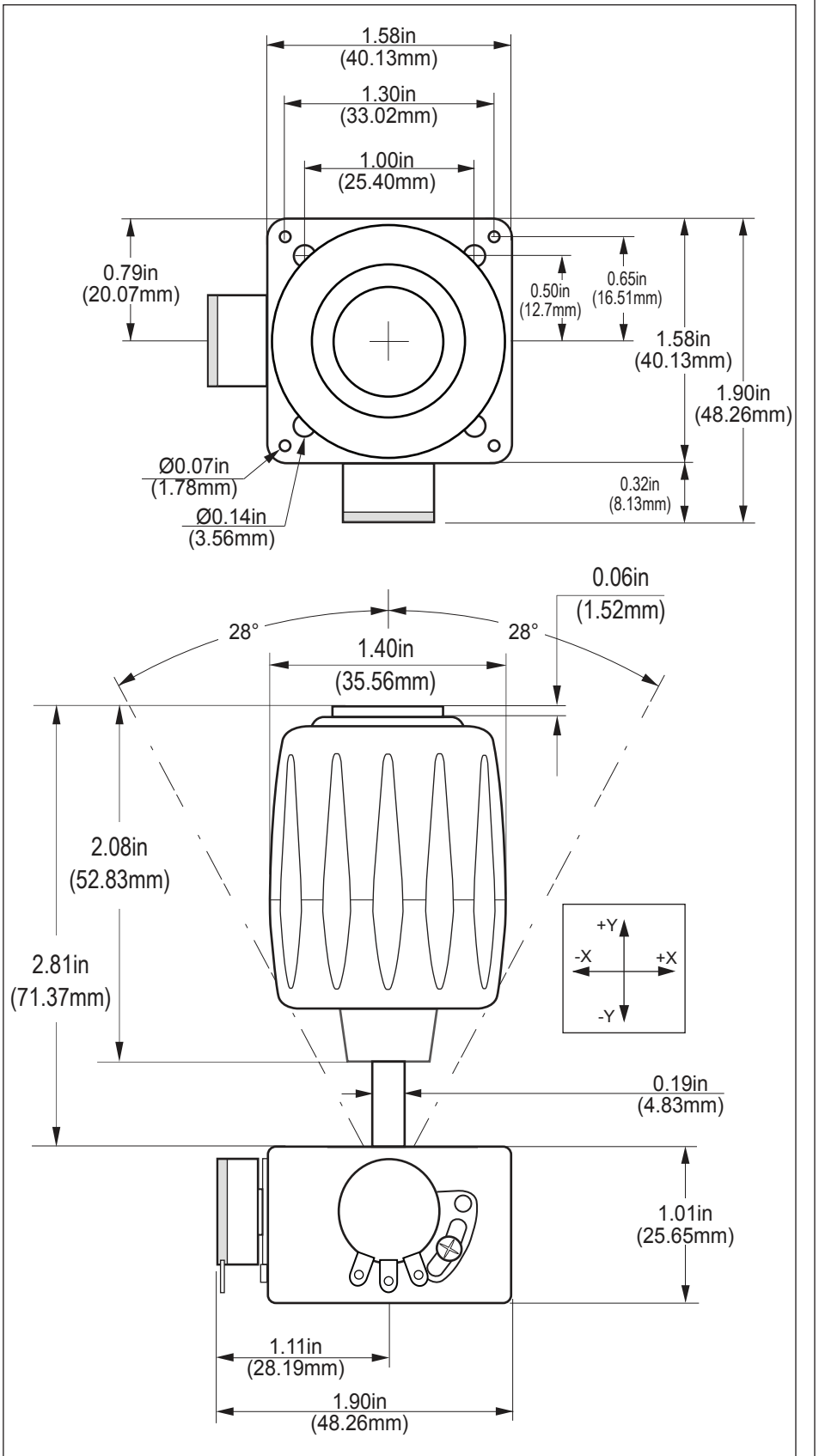
OPERATING TRAVEL	56° (28° from center)
CENTERING	Spring centering
BREAKOUT FORCE	0.029Nm
OPERATING FORCE	0.041Nm
MAXIMUM FORCE	0.062Nm
LIFE EXPECTANCY	2 million

WIRING

RED	Supply
WHITE	Signal
BLUE	Return
ORANGE*	Switch
ORANGE*	Switch

(* - wires are interchangeable)

RoHS compliant



CH
Products

P/N

M41L0N1P

REV
A

DESCRIPTION

Resistive Mini-3 Axes, with Button, with Rubber Boot

PROPRIETARY AND CONFIDENTIAL

THE INFORMATION CONTAINED IN THIS DRAWING IS THE SOLE PROPERTY OF CH PRODUCTS. ANY REPRODUCTION IN PART OR AS WHOLE WITHOUT THE WRITTEN PERMISSION OF CH PRODUCTS IS PROHIBITED.